

LED-FAME12

Surface-mounted/Recessed Luminaire
indirect

ADO ®

by TTC Timmler Technology

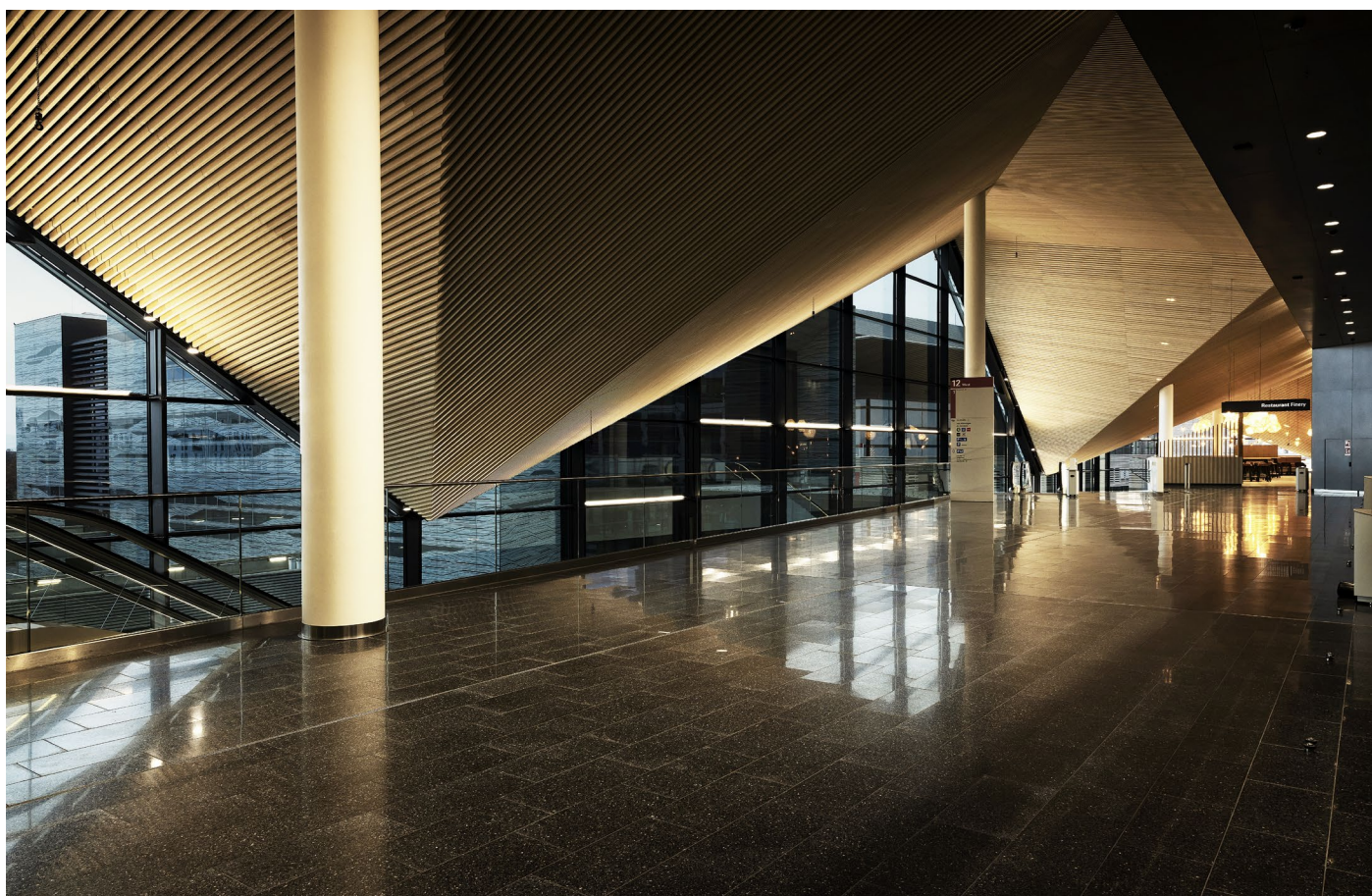
LED-FAME12

Surface-mounted/Recessed Luminaire

indirect



PICTURES



LED-FAME12

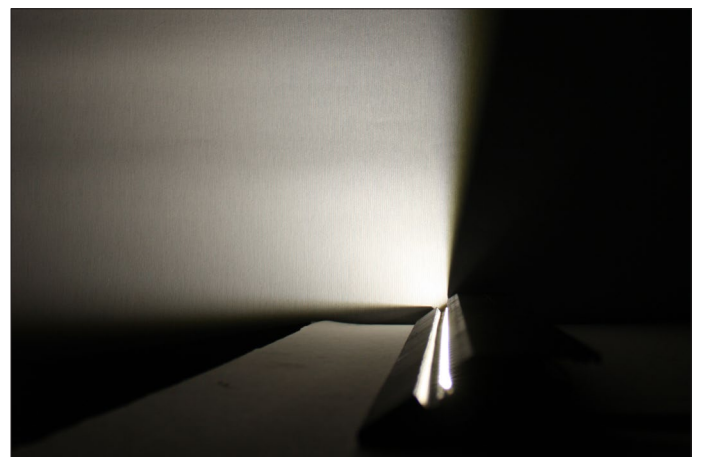
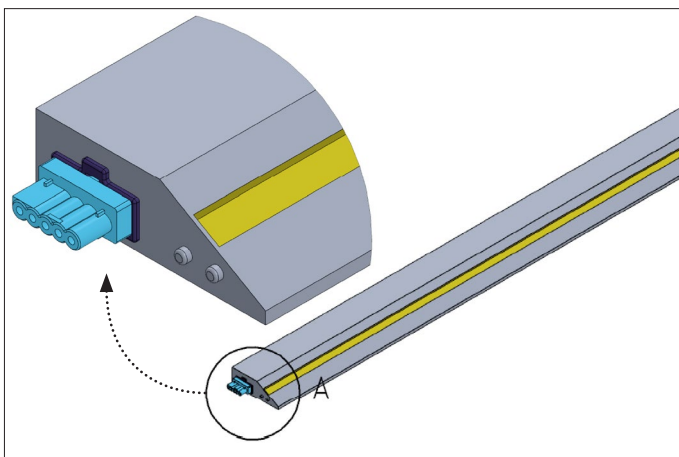
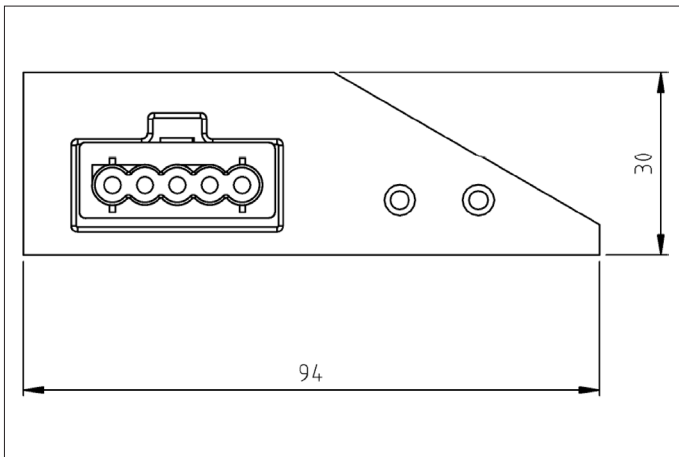
Surface-mounted/Recessed Luminaire indirect



GENERAL TECHNICAL SPECIFICATIONS AND TECHNICAL DRAWINGS



DIMENSIONS [W X H]	Luminaire housing 94 x 30 mm Variable length 612/1,212/1,812/2,412/ 3,012/3,612/4,212/4,812 mm Special lengths upon request	INTERFACE	DALI
POWER CONSUMPTION	Max. 80 W/m according to factory preset	IP RATING	IP40, optional IP54
LUMINOUS FLUX	Approx. 118 lm/W 840 or 830	LUMINAIRE HOUSING	Aluminium RAL powder-coated Cover clear PMMA
LIGHT BEAM ANGLE	asymmetric	CONVERTER	Overload protection Overtemperature protection Short-circuit protection Tridonic LCA 75W or LCA 100W units + type accord. to luminaire length
SERVICE LIFE	LED + EVG 50,000 hours at 70% of mean luminous flux	PLUG CONNECTION	Wieland N, PE, L(1), DA(2), DA(3)
COLOUR TEMPERATURE	White 3,000/4,000 Kelvin	OPTIONAL	Emergency light function
CRI	CRI > 85	WEIGHT	3.2 kg/m



TTC Timmler Technology GmbH
Christian-Schäfer-Straße 8
D-53881 Flammersheim [Cologne/Bonn]
T +49 2255 9212-00
F +49 2255 9212-99
E info@ado-lights.com
I www.ado-lights.com
www.led-luc.com



by TTC Timmler Technology

