
LED-FLOW

Surface-mounted luminaire

Baffle luminaire

Ground luminaire

Recessed luminaire

Façade luminaire

Mini spot

Pendant luminaire

Customised design

Spotlight

Free-standing luminaire

Tracklight

Voute

Wallwasher



MUNICIPAL THEATRE
MEISSEN [D]

Photo: Peter von Ritzke

LED-FLOW

Surface-mounted/Recessed Luminaire
General information



Basics

LED-Flow | Flexible luminaire

The LED-Flow is a flexible light line that can be bent in various directions and has a number of special options. It can be mounted with a magnetic holder so that the contour of the luminaire is visible but not its mounting. The encapsulation colour can also be freely selected, allowing the luminaire to set an accent even when switched off.

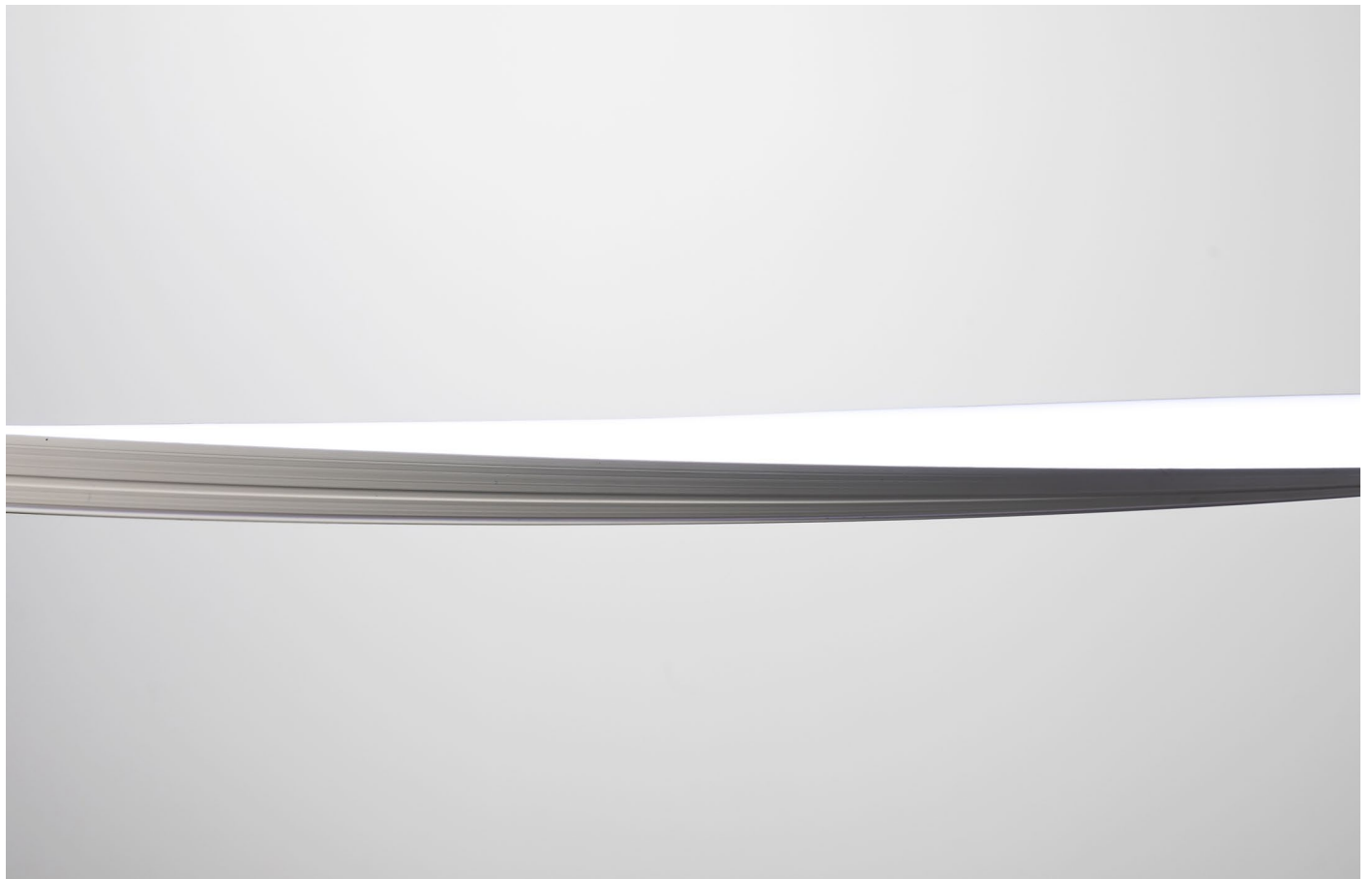
It can be used both indoors and outdoors and can be integrated into small applications such as building automation systems.

Variants

- 16.16 with top bend
- 16.16 with side bend
- 11.19 with side bend

Features

- For showrooms, hotels, restaurants, trade fairs, public places, façades, entrance areas, cove lighting
- Top/side bend/3D view
- Selectable potting colour
- Magnetic mounting possible
- Can be walked on
- Perfect light homogeneity
- Light colour monochrome, optional RGB, RGB+W, Tuneable White



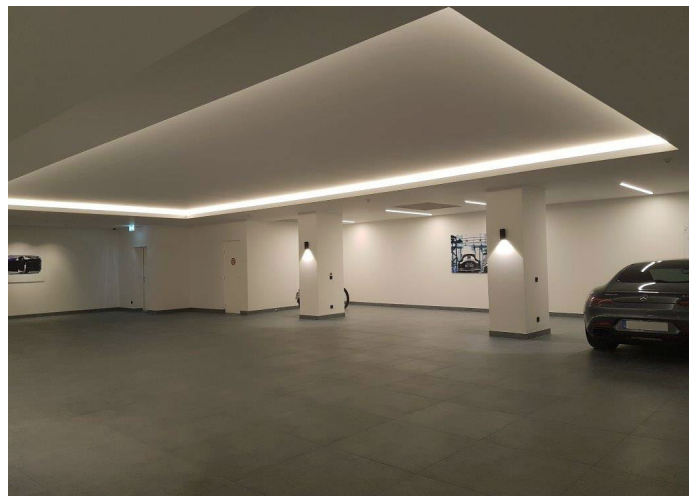
LED-FLOW

Surface-mounted/Recessed luminaire
16.16 Top/Side



Technical data

Dimensions [W x H]	16 x 16 mm top or side bend Max. length 5000 mm Bending radius min. > 60 mm
Mounting	Surface mounting with clips + profiles Flush mounting with profiles Magnetic for high design demands
Luminaire housing	Mix of clear + opaque PU resin UV-resistant
Luminaire cover	--
Power rating	9.6 W/m or 14.4 W/m [white] 14.4 W/m [RGB] 19.2 W/m [RGB+W] 24 VDC
Luminous flux	Max. 620 lm/W
Beam angle	Diffuse
Colour temperature	White 2700/3000/4000 Kelvin RGB RGB+W Tuneable White
Colour rendering index	CRI > 80/90
Service life	LED + ECG 50 000 hours at 70 % of the output luminous flux
Control interface	External driver DMX512 or DALI
Norm/Performance/ Certificates	CE RoHS
Protection class	IP68 connecting cable with IP67 connector
Weight	1.9 kg/m
Accessories	--
Converter	-25 °C to +50 °C Overload protection Overtemperature protection Short-circuit proof
Optional	Mounting profiles made of aluminium or stainless steel 3D bending
Customised design	Possible
Light calculation	EULUM file see www.ado-lights.com



LED-FLOW

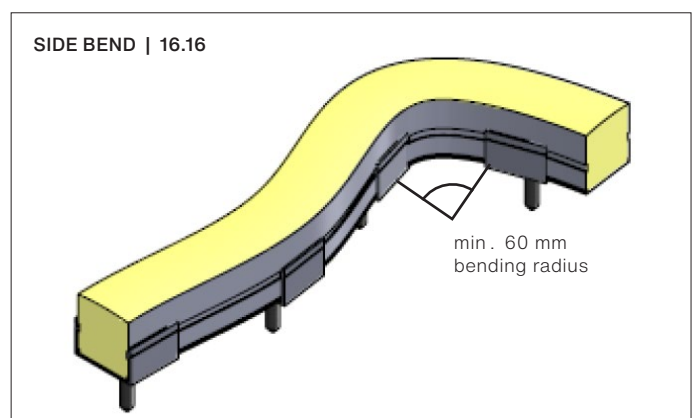
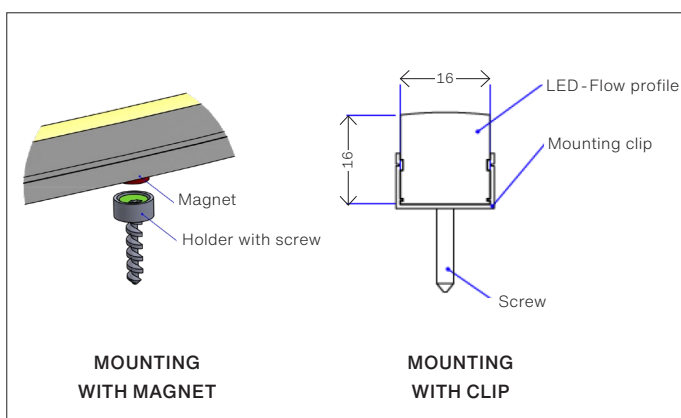
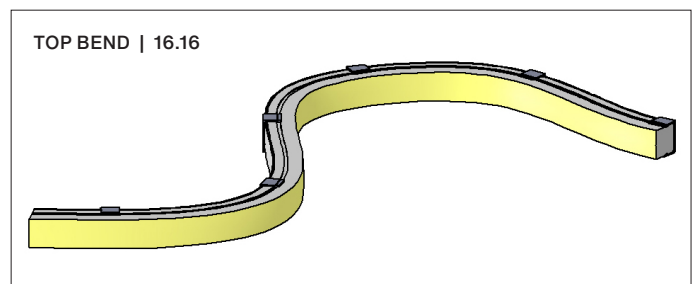
Surface-mounted/Recessed luminaire
16.16 Top/Side



Technical drawings | Quick info



ado-lights.com/flow



LED-FLOW

Surface-mounted/Recessed Luminaire
11.19 Side



Technical data

Dimensions [W x H]	11 x 19 mm side bend Max. length 5000 mm Bending radius min. > 60 mm
Mounting	Surface mounting with clips + profiles Flush mounting with profiles Magnetic for high design demands
Luminaire housing	Mix of clear + opaque PU resin UV-resistant
Luminaire cover	--
Power rating	9.6 W/m or 14.4 W/m [white] 14.4 W/m [RGB] 19.2 W/m [RGB+W] 24 VDC
Luminous flux	Max. 620 lm/W
Beam angle	Diffuse
Colour temperature	White 2700/3000/4000 Kelvin RGB RGB+W Tuneable White
Colour rendering index	CRI > 80/90
Service life	LED + ECG 50 000 hours at 70 % of the output luminous flux
Control interface	External driver DMX512 or DALI
Norm/Performance/ Certificates	CE RoHS
Protection class	IP68 connecting cable with IP67 connector
Weight	1.9 kg/m
Accessories	--
Converter	-25 °C to +50 °C Overload protection Overtemperature protection Short-circuit proof
Optional	Mounting profiles made of aluminium or stainless steel 3D bending
Customised design	Possible
Light calculation	EULUM file see www.ado-lights.com



LED-FLOW

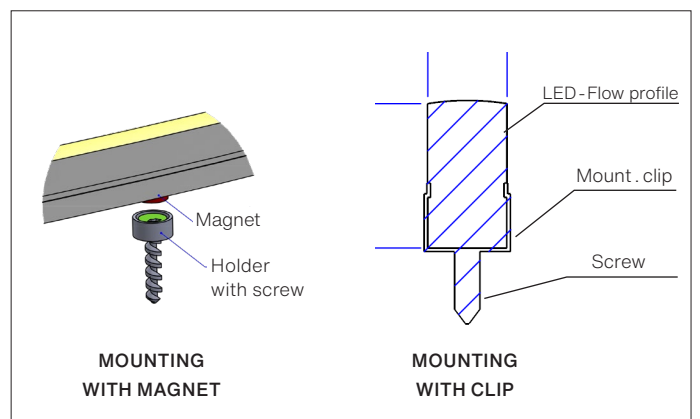
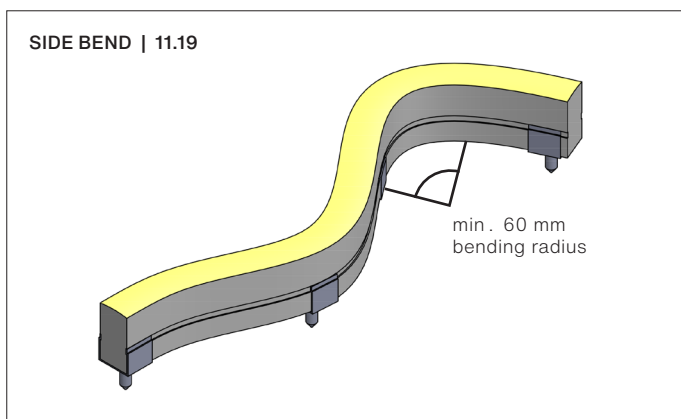
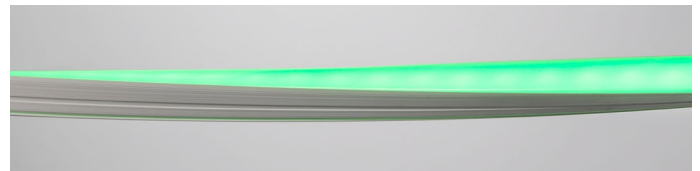
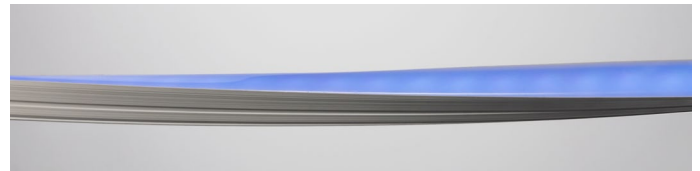
Surface-mounted/Recessed Luminaire
11.19 Side



Technical drawings | Quick info



ado-lights.com/flow



TTC Timmler Technology GmbH
Christian-Schäfer-Straße 8
D-53881 Flammersheim [Cologne/Bonn]
T +49 2255 9212-00
F +49 2255 9212-99
E info@ado-lights.com
I www.ado-lights.com
www.led-luc.com



by TTC Timmler Technology

